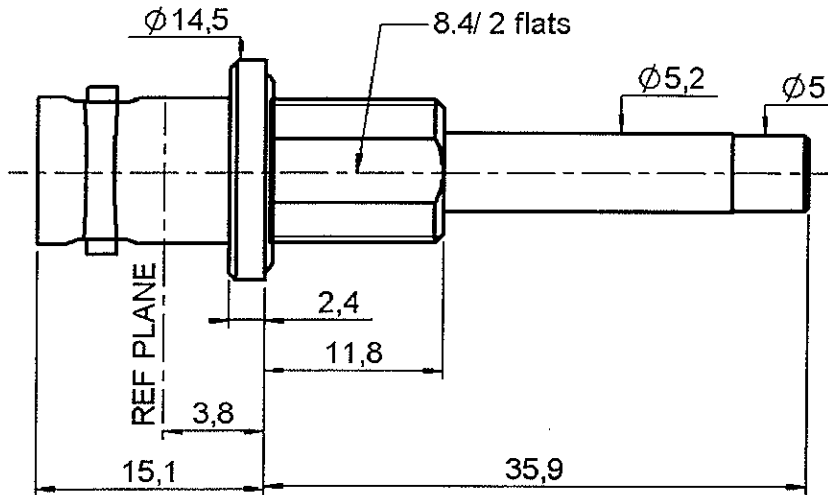


BULKHEAD JACK RECEPTACLE FRONT MOUNTING
COMBINATION SEAL WITH CYLIND. CONTACT

R141.605.300

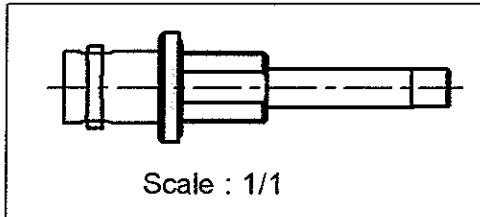
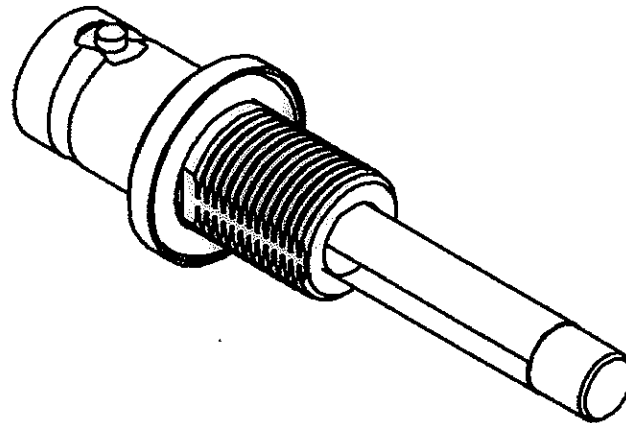
Series : BNC



PANEL CUT OUT



mm		
	Maxi	mini
A	9.75	9.65
B	8.65	8.55



All dimensions are in mm.

COMPONENTS	MATERIALS	PLATING
BODY	BRASS	NICKEL 2 μm
CENTRE CONTACT	BERYLLIUM COPPER	GOLD 0.5 OVER NICKEL 2 μm
OUTER CONTACT	-	- μm
INSULATOR	PTFE	
GASKET	SILICONE RUBBER	
OTHERS PARTS	-	- μm
-	-	-
-	-	-



Edition : 9913 B

Design changes may be in order to improve the product.

BULKHEAD JACK RECEPTACLE FRONT MOUNTING

R141.605.300

COMBINATION SEAL WITH CYLIND. CONTACT

Series : BNC

ELECTRICAL CHARACTERISTICS

Impedance		50 Ω
Frequency		0-4 GHz
VSWR	1.06* +	0.006 x F(GHz) Maxi
Insertion loss		.025* √F(GHz) dB Maxi
RF leakage	-(57 - F(GHz)) dB mini
Voltage rating		500 Veff Maxi
Dielectric withstanding voltage		1500 Veff mini
Insulation resistance		5000 MΩ mini

SPECIFICATION

ENVIRONMENTAL

Operating temperature	-65/+165 °C
Hermetic seal	NA Atm.cm3/s
Leakage – pressurised only	0.35 Mpa

MECHANICAL CHARACTERISTICS

Centre contact retention	
Axial force – Mating end	18 N mini
Axial force – Opposite end	18 N mini
Torque	2.8 N.cm mini
Recommended torque	
Mating	NA N.cm
Panel nut	NA N.cm
Mating life	500 Cycles mini
Weight	0.000 g

OTHERS CHARACTERISTICS

Assembly instruction NA
 Others :
 * Coaxial Transmission Line Only



RADIALL®

Edition : 9913 B

Design changes may be in order to improve the product.